



Month Day Year

Today's Date

Project

Name or Reference

Address

City State Zip

Email

Architect

Glazing contractor

Glazing factory location

Contact

Company Name

Contact Person

Address

City State Zip

Structural Silicone

Structural Sealant(s) to be utilized on project:

2-part structural silicone:

1-part structural silicone:

Other:

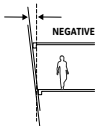
System Information

SSG system type

If other, describe

Governing dimensions (W x H) for calculating SSG bead width (largest piece of glass or panel to be adhesively bonded)

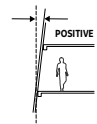
W: H: Units:



Is there sloped glazing on the project? Yes No

- If yes,
- + slope (permanent compression load imposed into silicone)
 - slope (permanent tension load imposed into silicone)

Degree(s)



Weight of glass (worst case) Units:

Design pressure(s)

Comments

Spacer

Type:
Manufacturer:

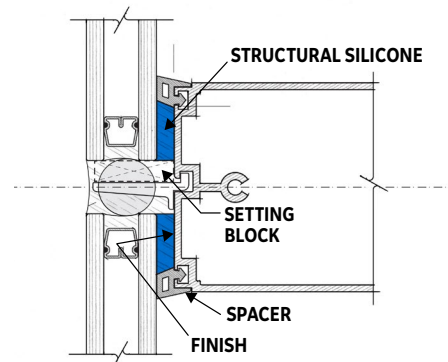
ID:
Composition:

Setting Block

Manufacturer:
ID:
Composition:

Finish

Type:
Manufacturer:
ID:
Color:



Please send completed form to gecstmarketing@momentive.com